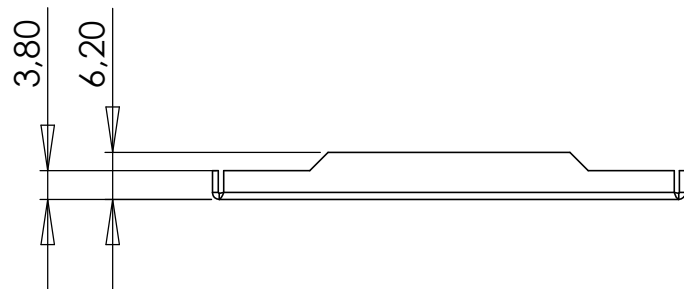
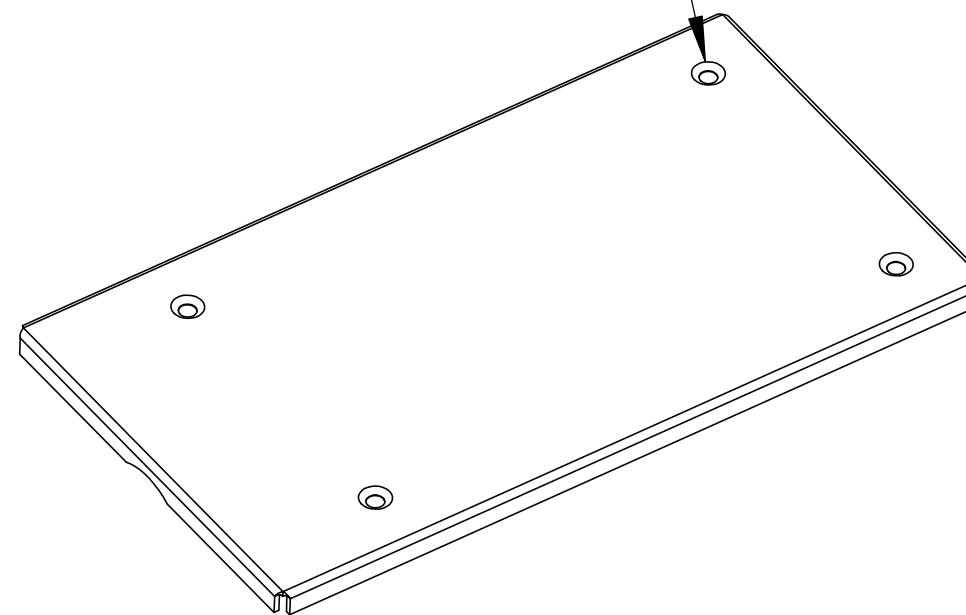


Senkkäus x 6, M2.5 DIN965 uppokantaruuville



Material		0.8mm RST, suojakalvoitettu ulkopinta	
Surface Finishing			
Designer		JH/31052007	Scale 1:1
Product Number		ME1601	All dimensions in millimeters
Product Name		3ASm RST kansi	
Drawing name and version		A_00045_V001_#S1_V001	Part version V001
 <small>PL 142, 24101 SALO TEL. 358 (0)2 7777800 FAX 358 (0)2 7777810 www.satel.fi</small>			